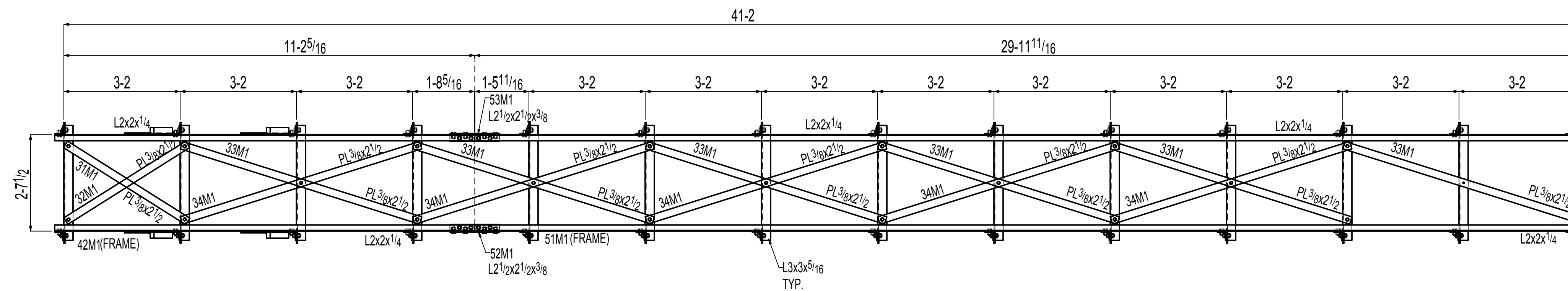
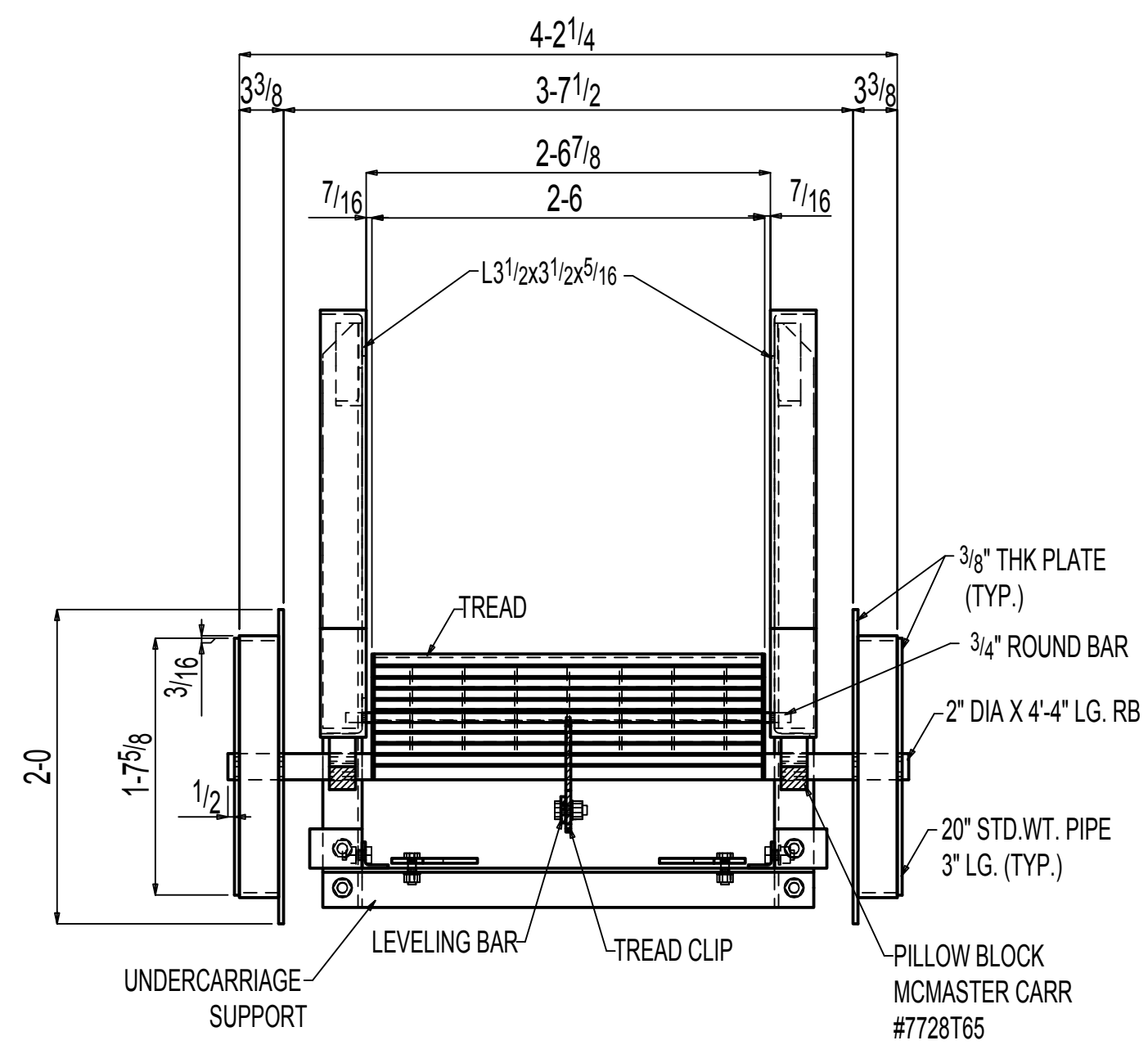


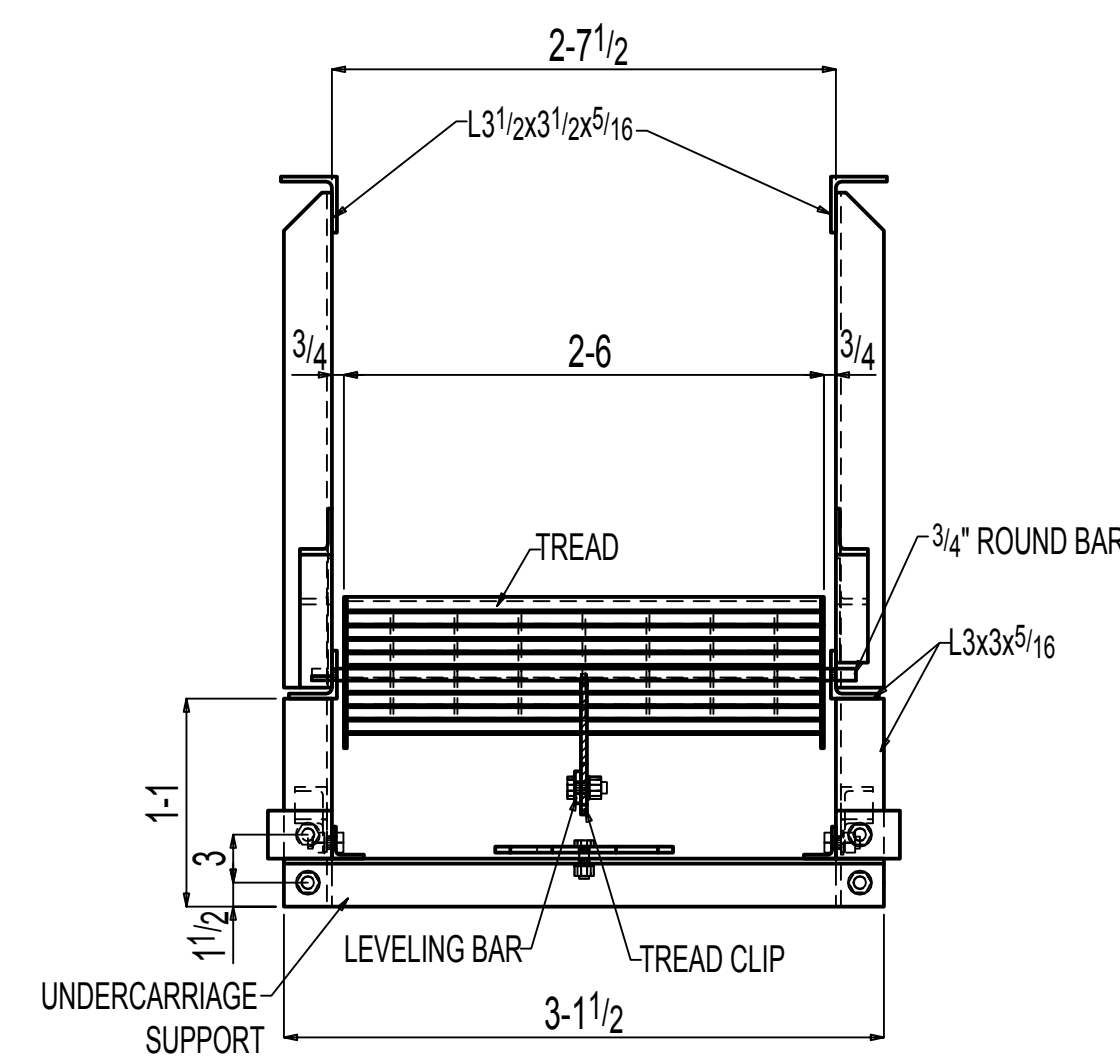
1 SECTION VIEW
E1



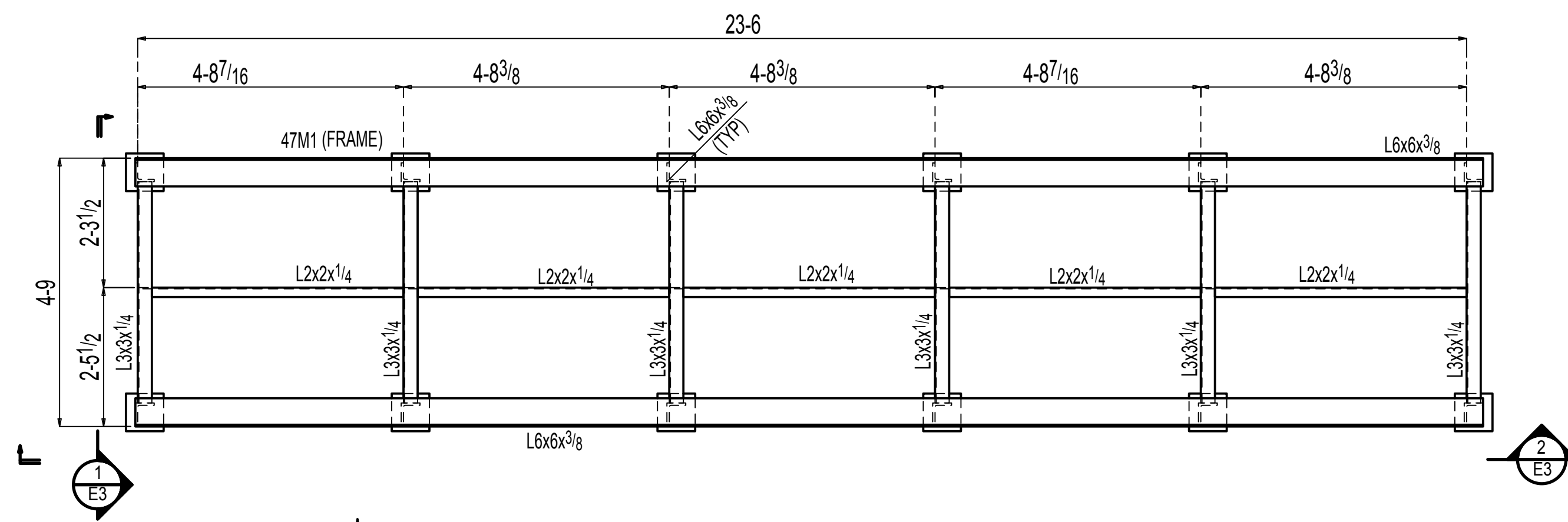
2 UNDERCARRIAGE BRACING SECTION VIEW
E2



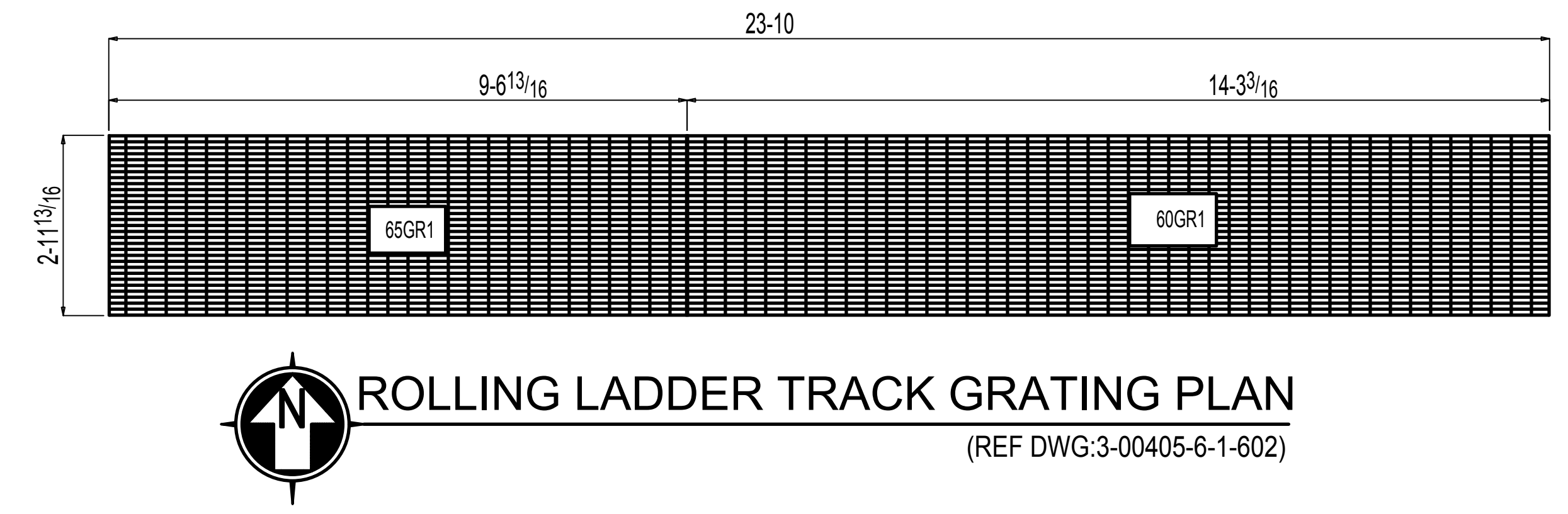
3 SECTION VIEW
E1



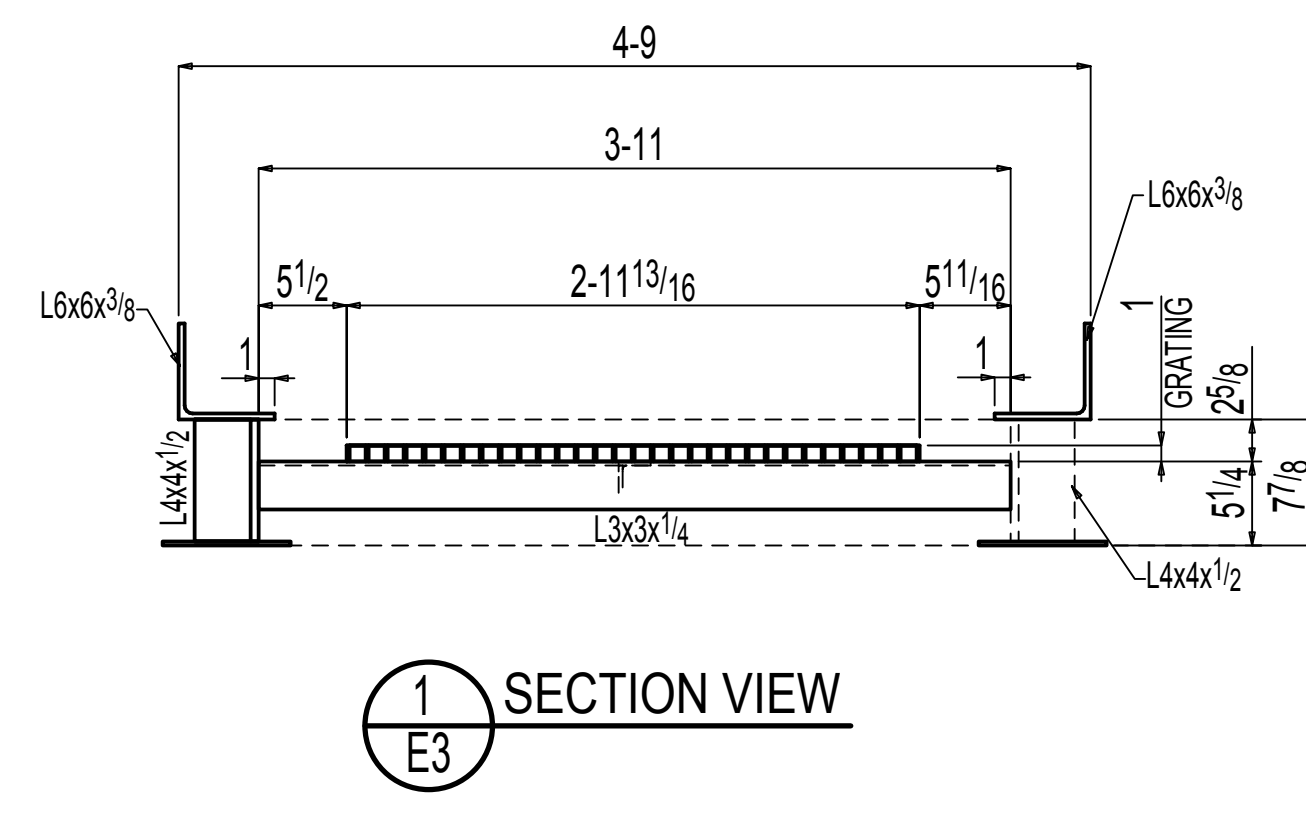
4 SECTION VIEW
E1



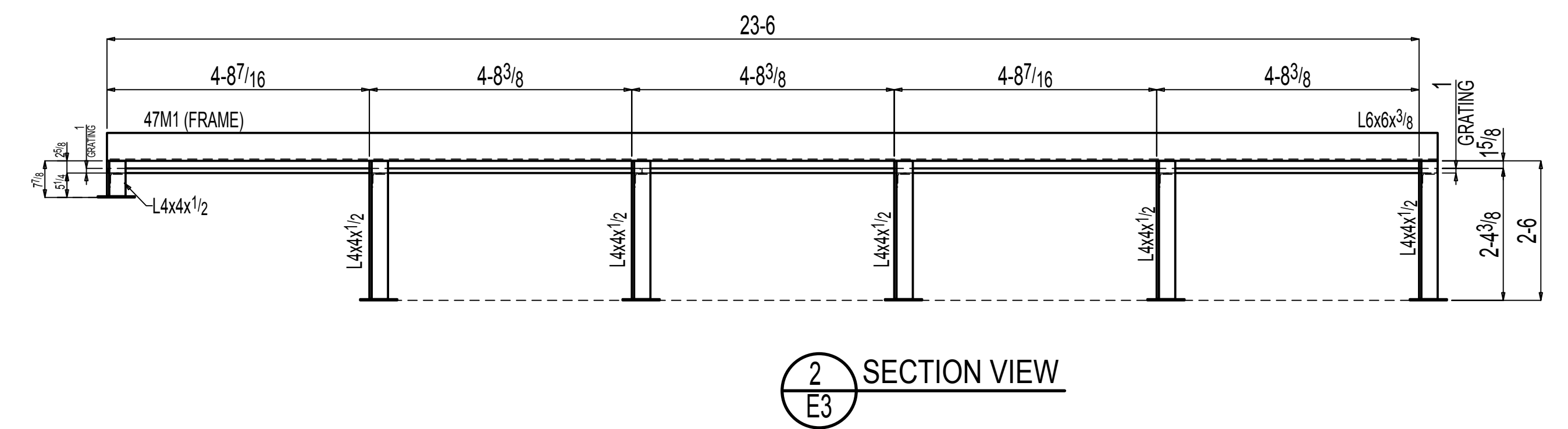
ROLLING LADDER TRACK FRAMING PLAN
(REF DWG:3-00405-6-1-602)



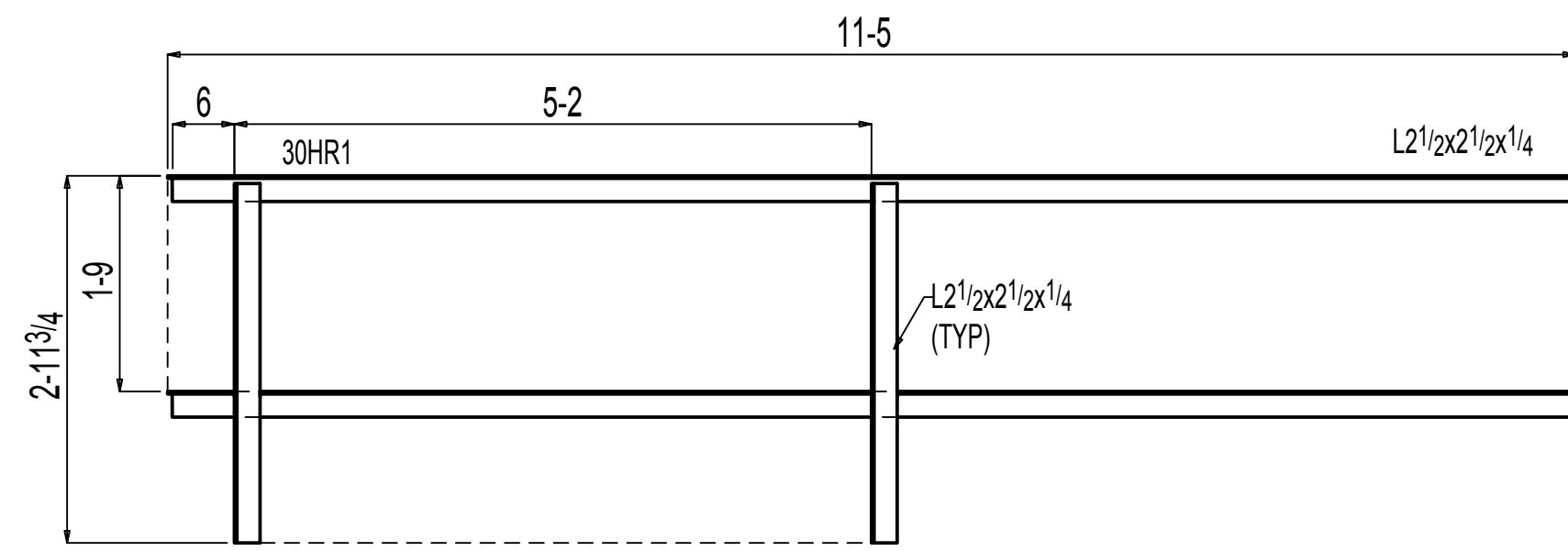
ROLLING LADDER TRACK GRATING PLAN
(REF DWG:3-00405-6-1-602)



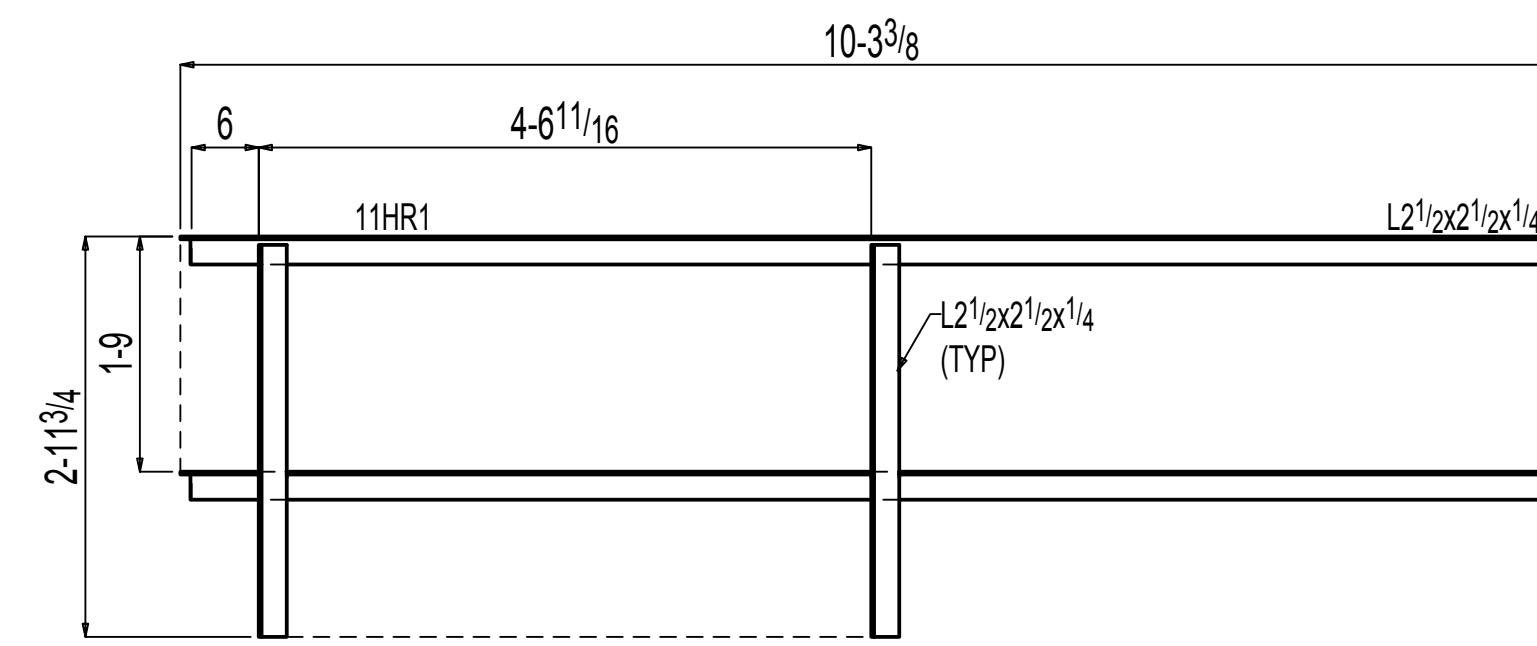
1 SECTION VIEW
E3



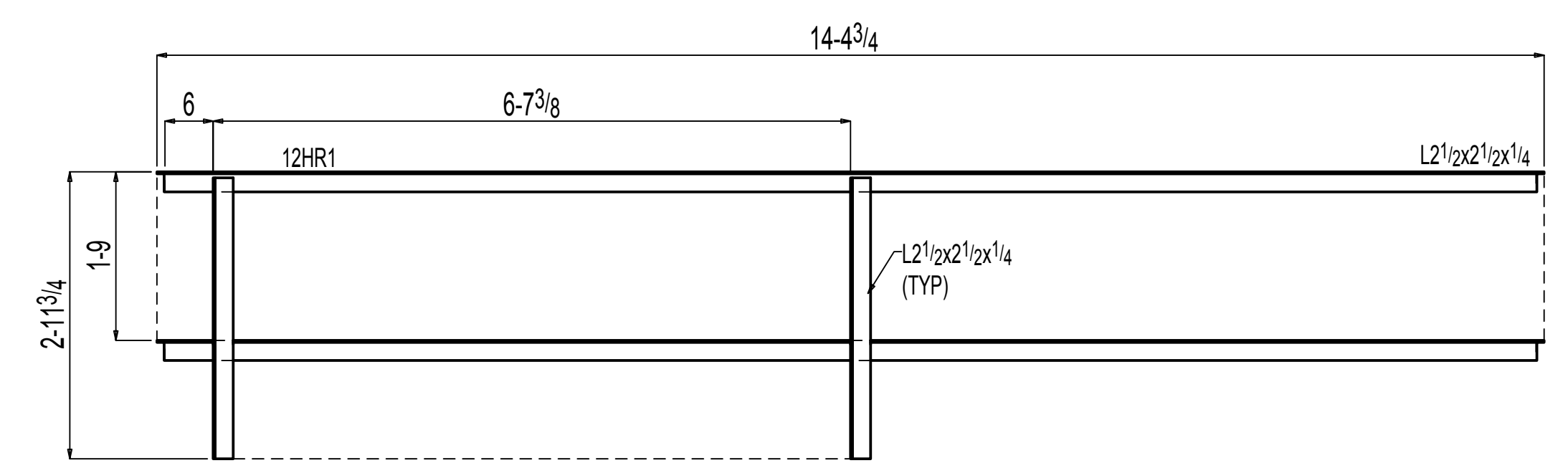
2 SECTION VIEW
E3



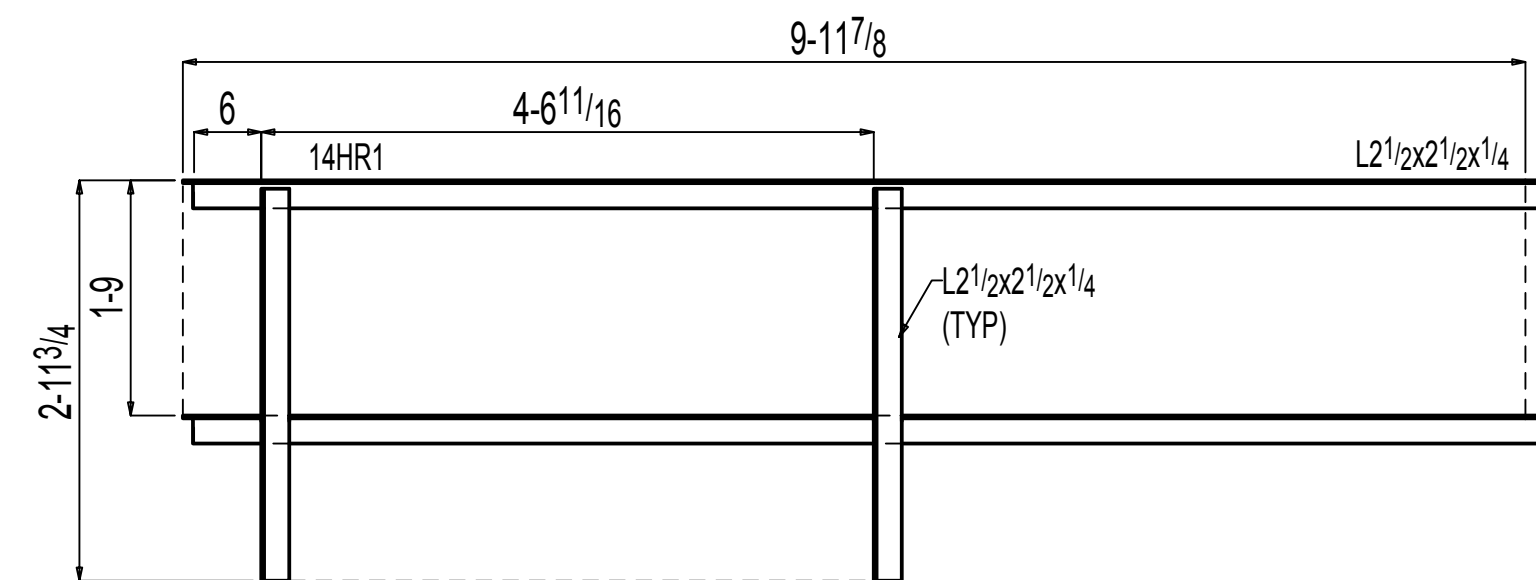
WG-1 HANDRAIL FRONT VIEW
(1) REQUIRED



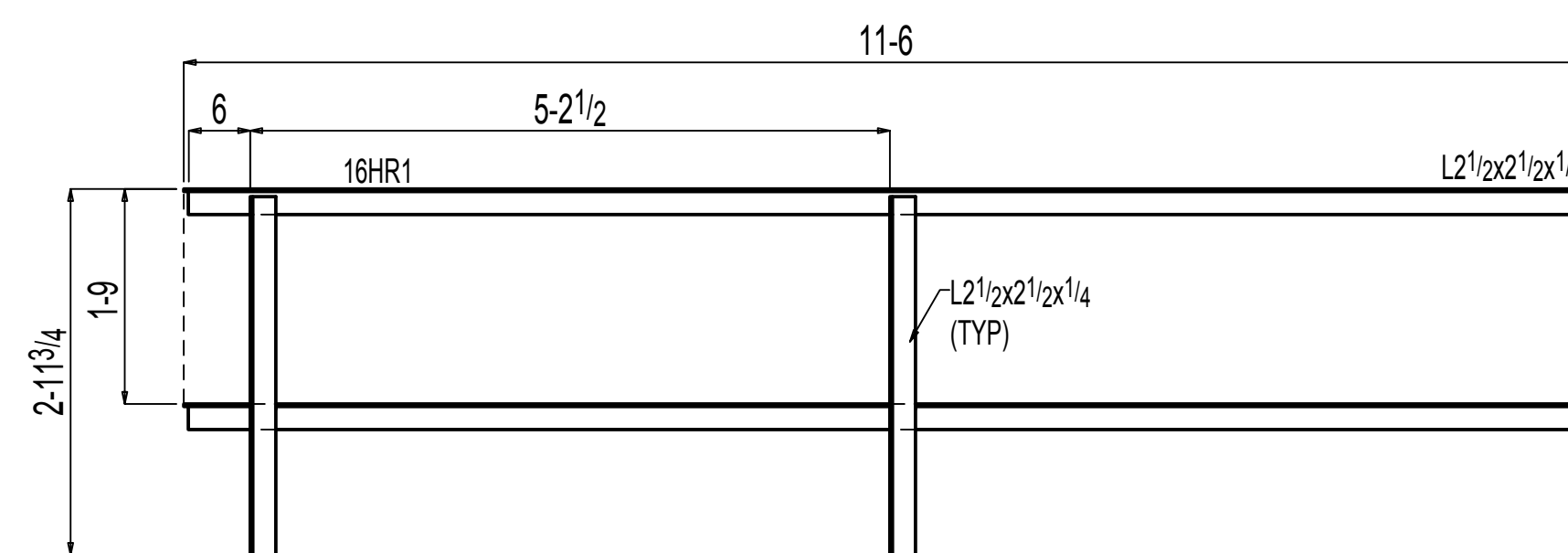
WIND GIRDER LEFT BREAK OUT HANDRAIL FRONT VIEW
(1) REQUIRED



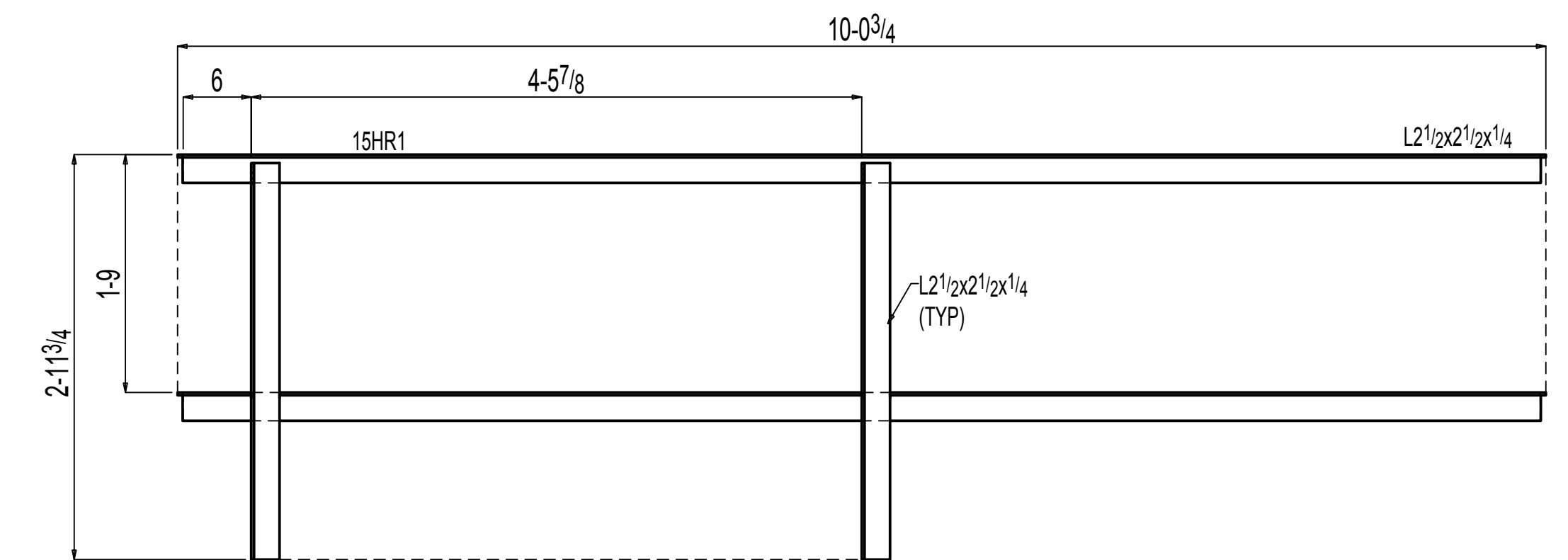
WIND GIRDER CENTER BREAK OUT HANDRAIL FRONT VIEW
(1) REQUIRED



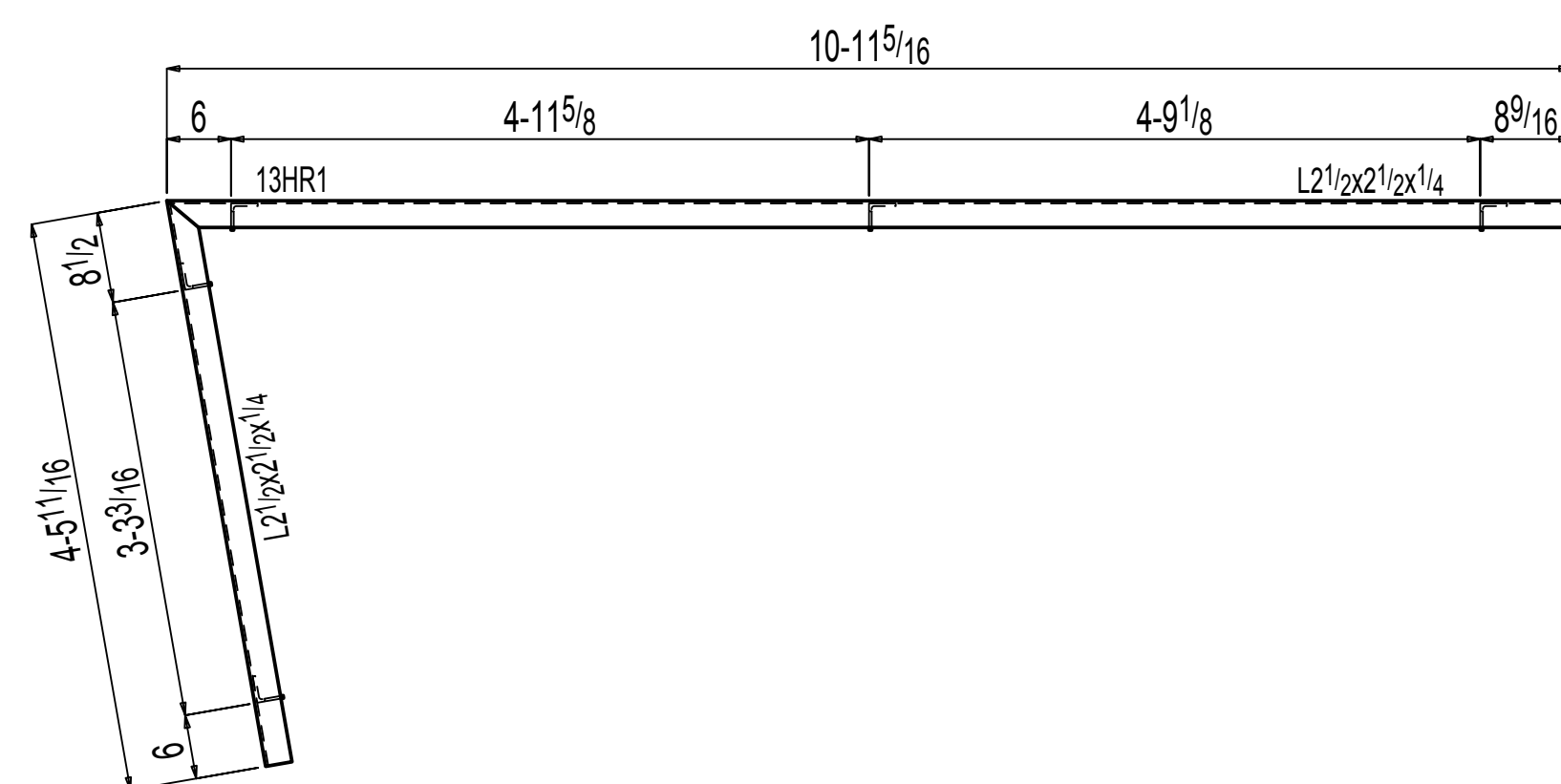
WIND GIRDER RIGHT BREAK OUT HANDRAIL FRONT VIEW
(1) REQUIRED



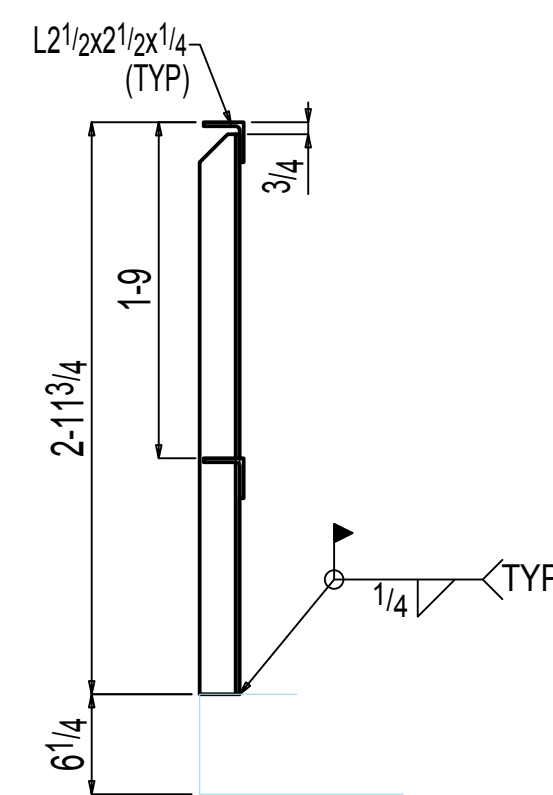
WG-2 HANDRAIL FRONT VIEW
(1) REQUIRED



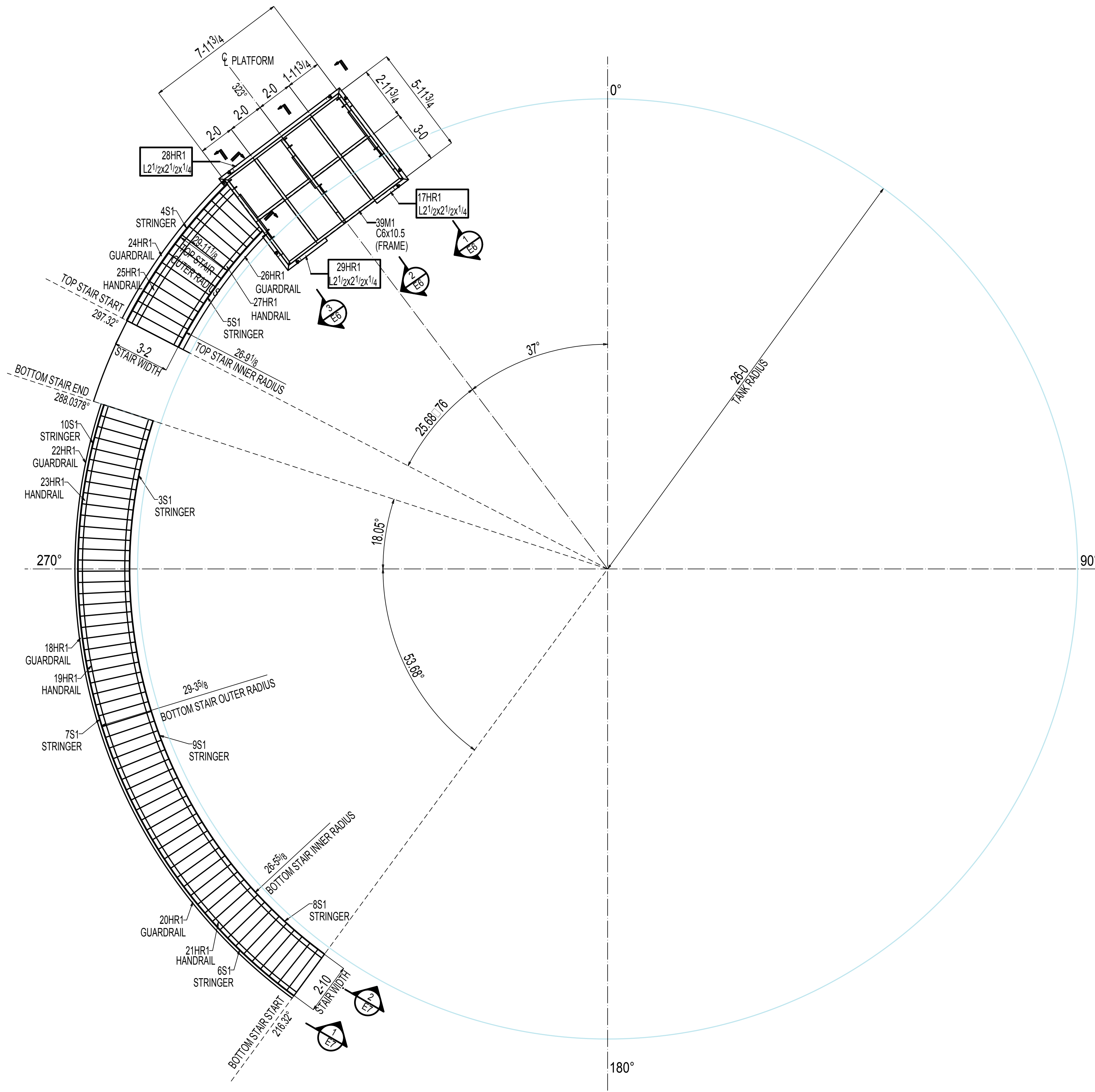
WIND GIRDER HANDRAIL FRONT VIEW
(14) REQUIRED



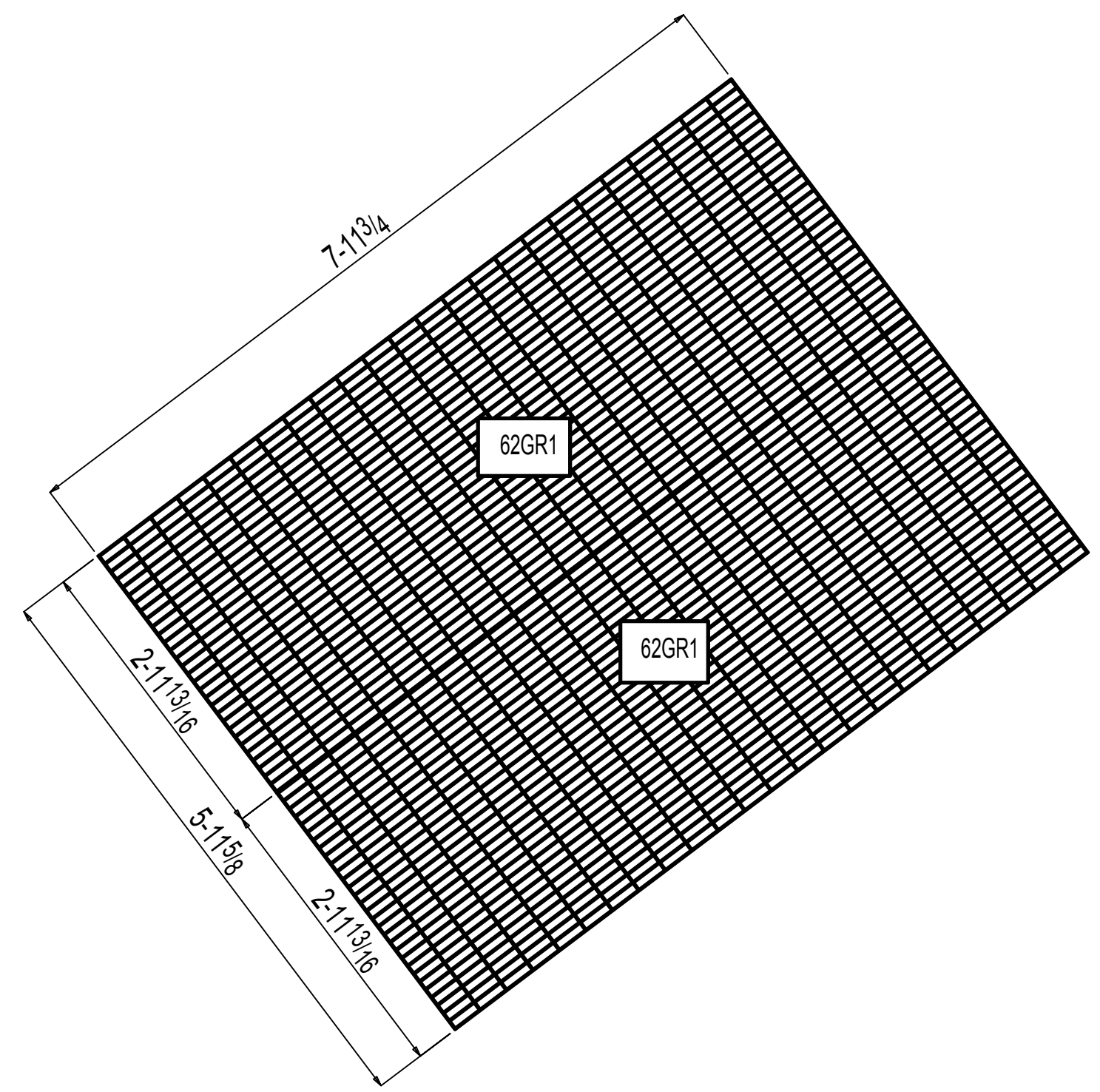
BREAK OUT INSIDE HANDRAIL PLAN VIEW
(1) REQUIRED



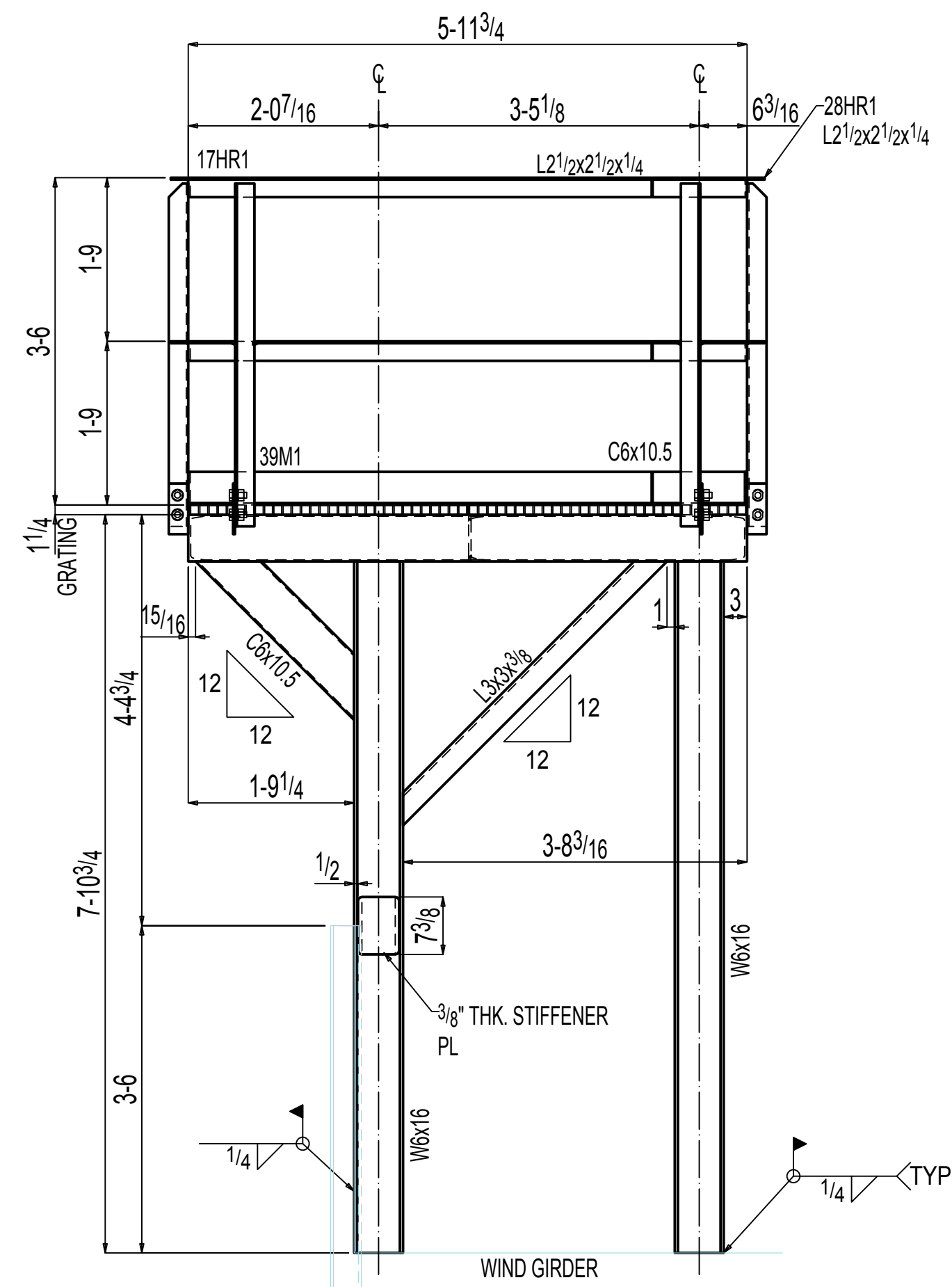
WIND GIRDER HANDRAIL DETAIL



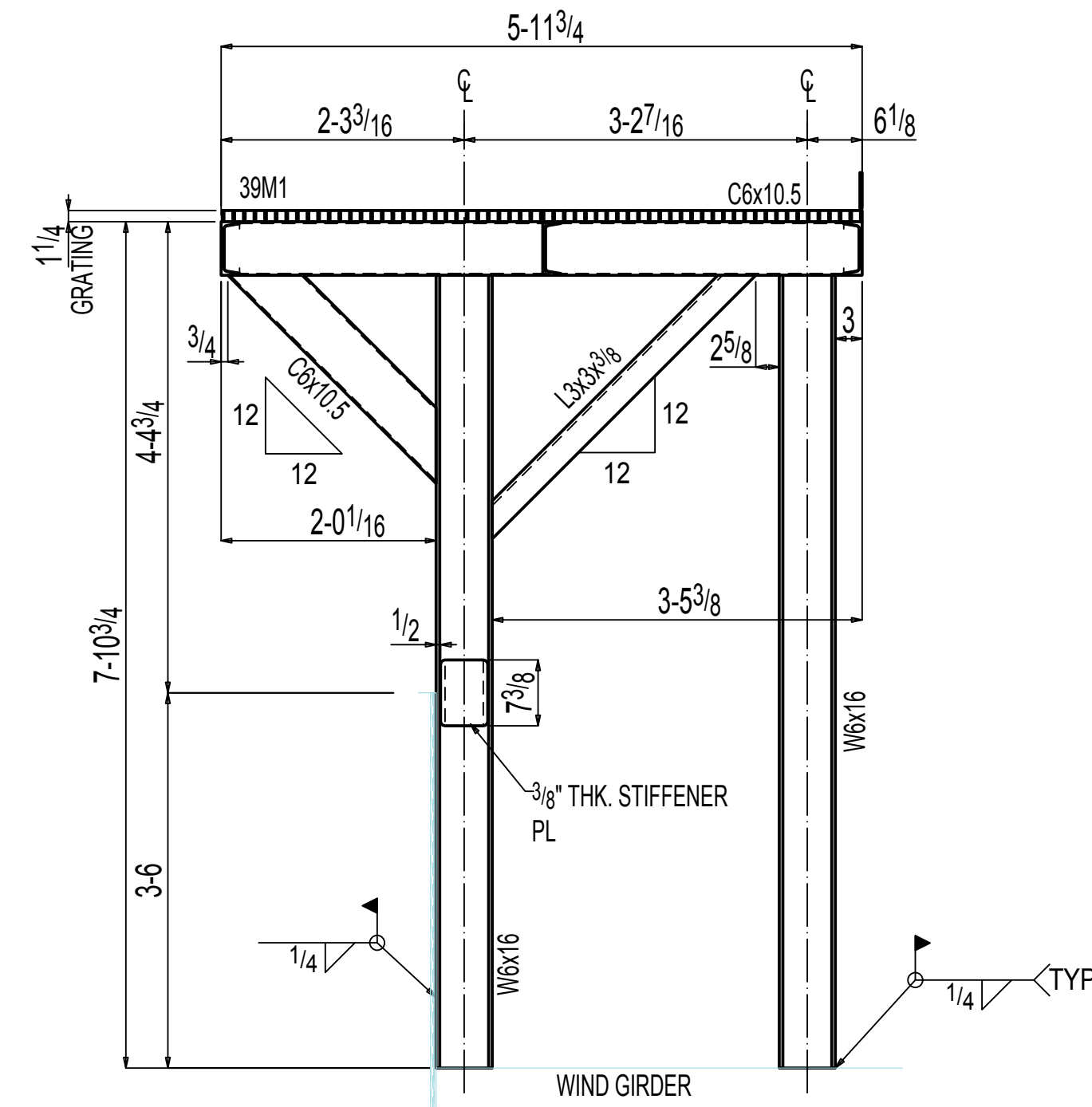
STAIR PLATFORM FRAMNIG PLAN
 (REF DWG:102344.000-D-6304-1)



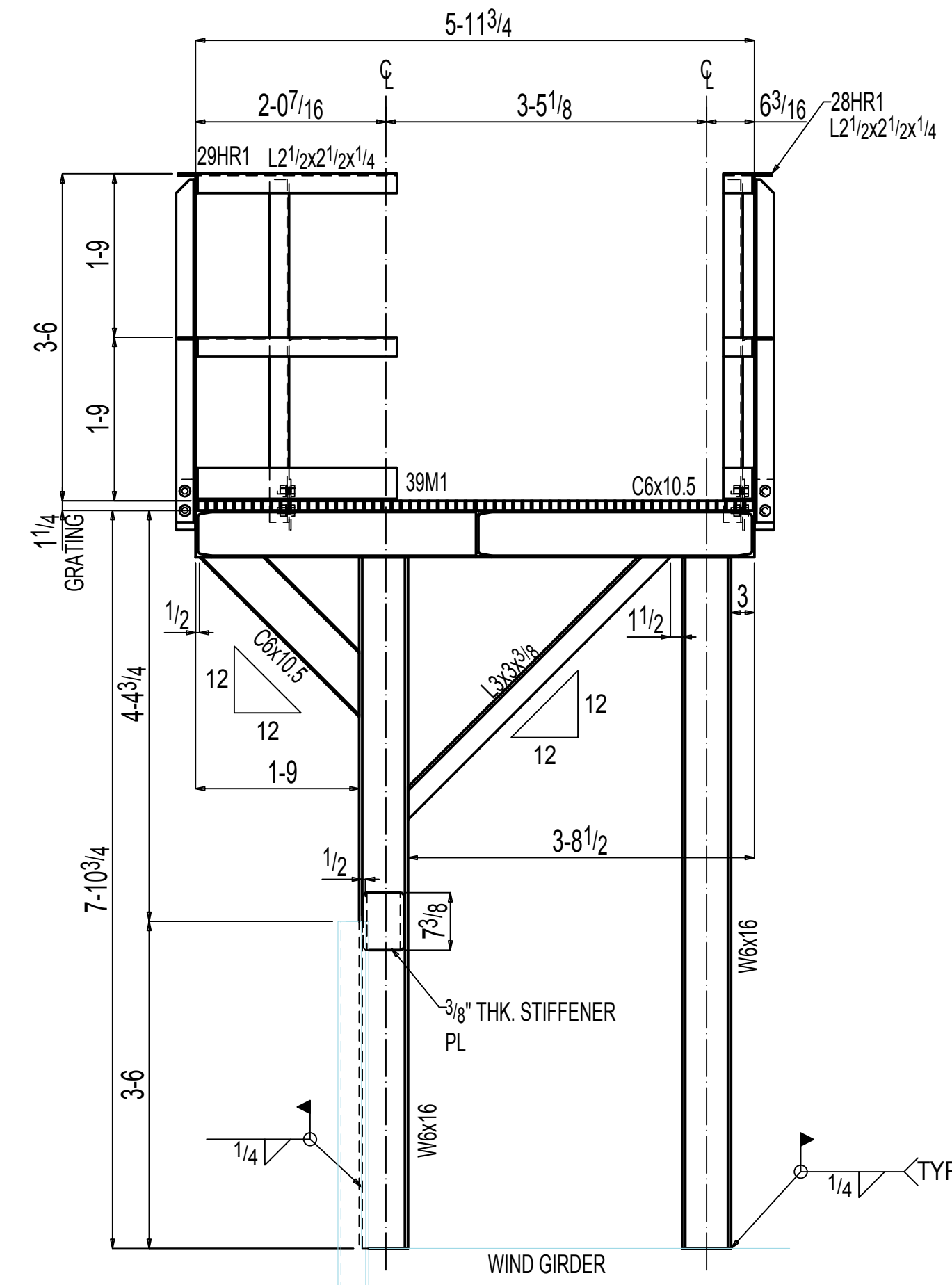
PLATFORM GRATING FRAMING PLAN
 (REF DWG:102344.000-D-6304-32)



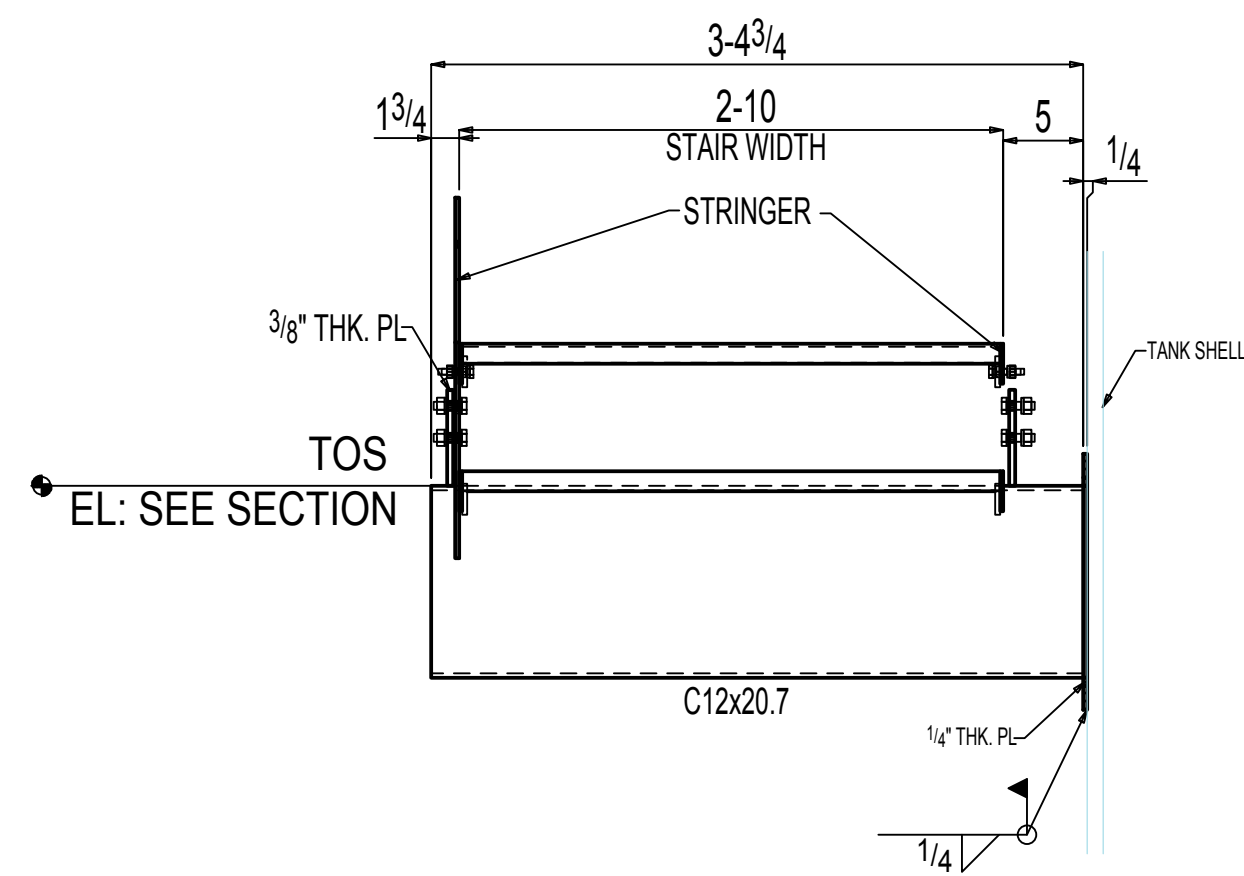
1 SECTION VIEW
E5



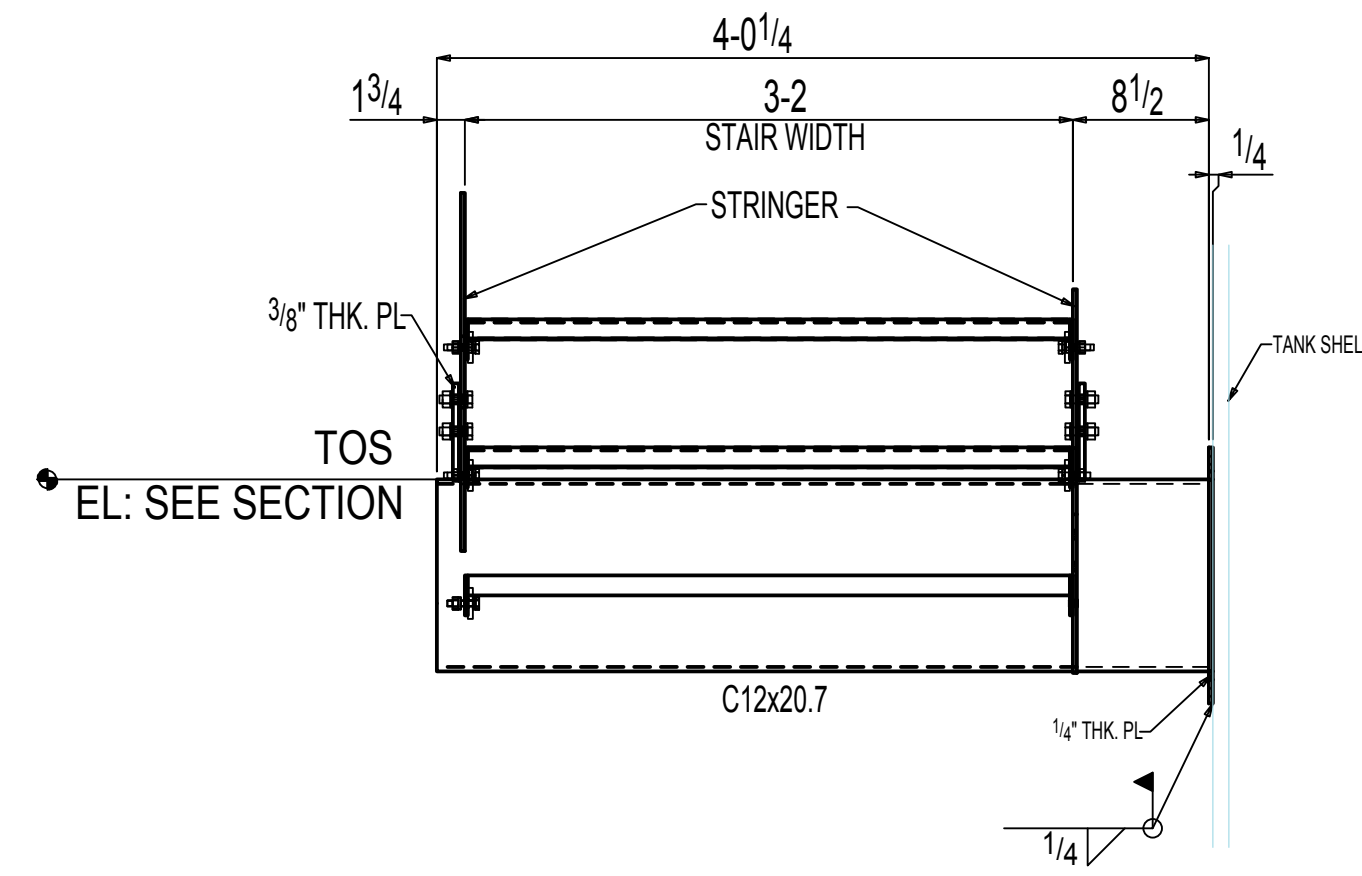
2 SECTION VIEW
E5



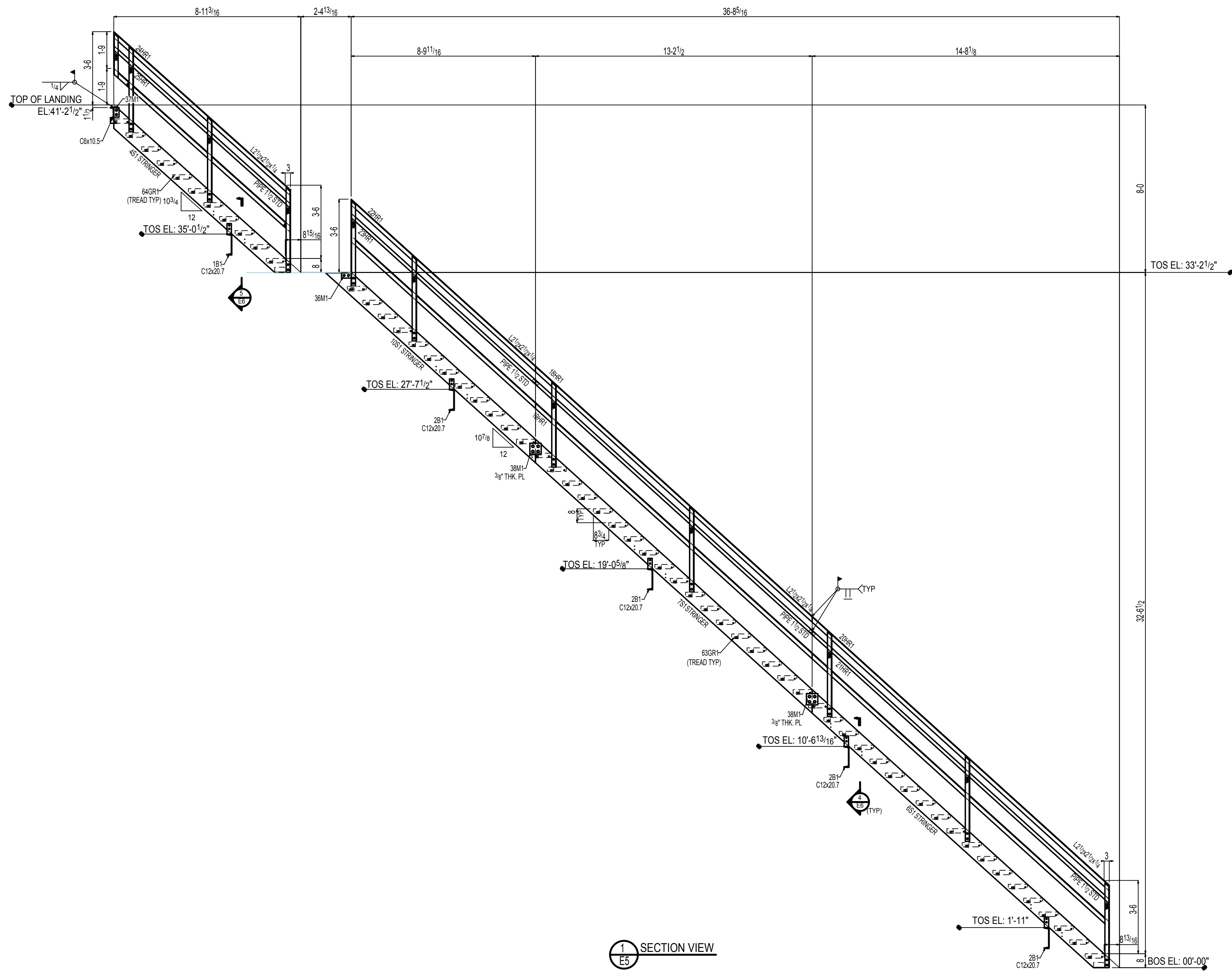
3 SECTION VIEW
E5



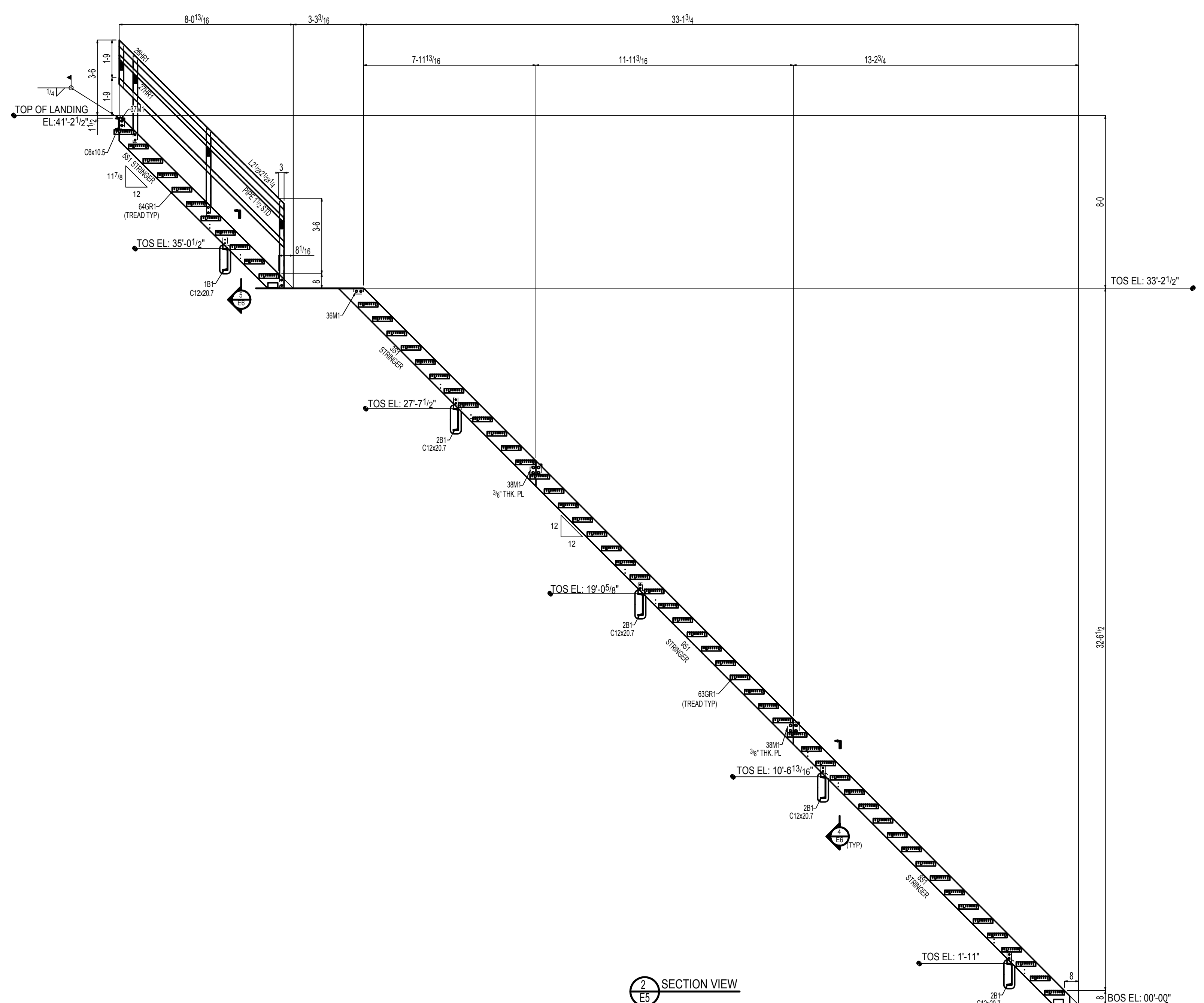
4 BOTTOM STAIR SECTION VIEW
E7



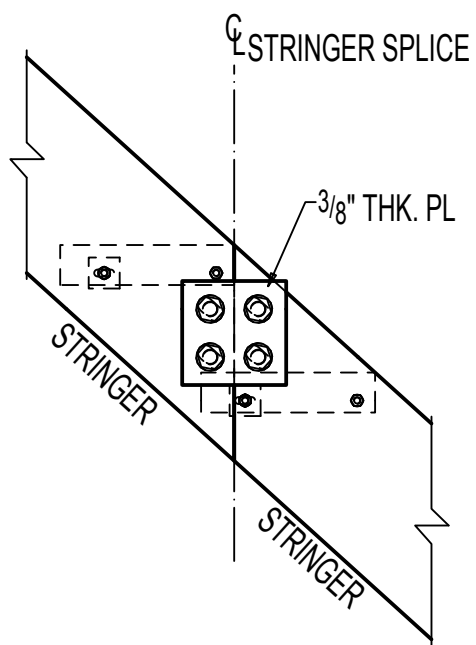
5 TOP STAIR SECTION VIEW
E7



1 SECTION VIEW
E5



2 SECTION VIEW
E5



TYPICAL STRINGER SPLICE DETAIL